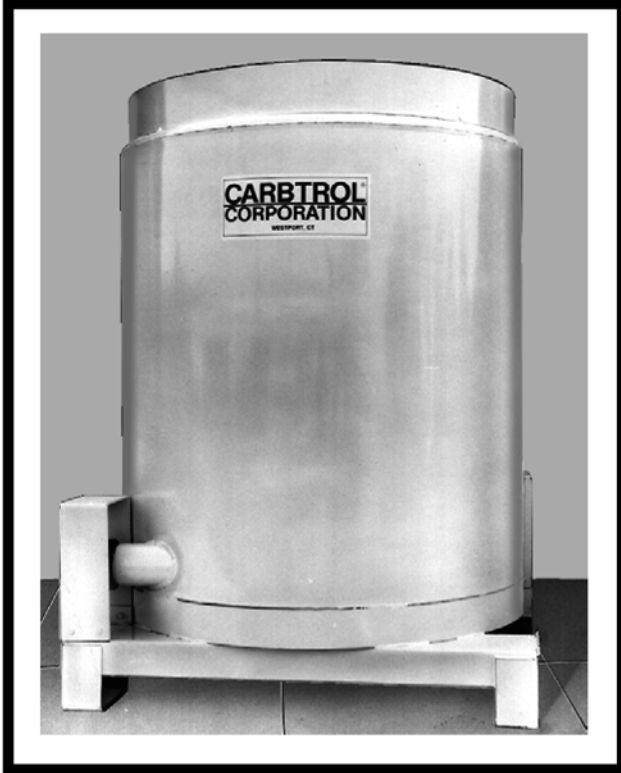


CARBOTROL®

AIR PURIFICATION ADSORBERS

1,000 - 3,000 LB. ACTIVATED CARBON



FEATURES

- Low pressure drop.
- Epoxy lined mild steel construction.
- High activity carbon.
- Fork lift fittings for easy handling.
- Slotted inlet distributor.
- Acceptable for transport of hazardous spent carbon.

OPTIONS

- Platisol (PVC) lining.
- Interconnecting piping.

SPECIFICATIONS

MODEL G-4

CARBON: 1,000 lbs.
DIMENSIONS: 45-1/2" Ø x 64" H
SHIPPING WT: 1,700 lbs. Dry

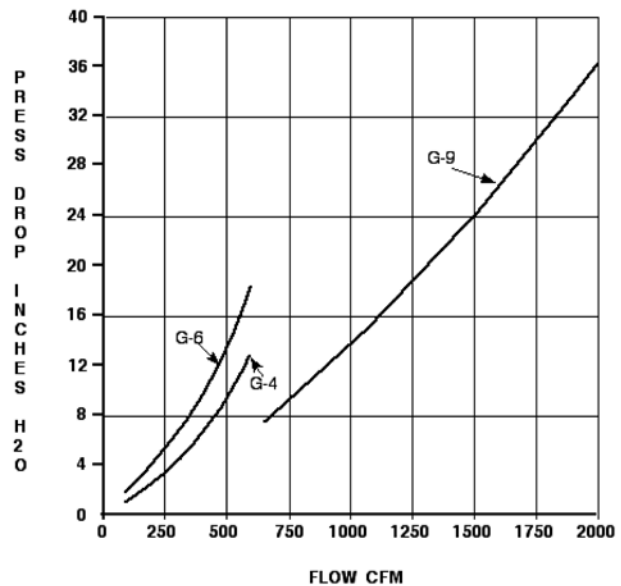
MODEL G-6

CARBON: 1,800 lbs. *
DIMENSIONS: 45-1/2" Ø x 88" H
SHIPPING WT: 2,675 lbs. Dry

MODEL G-9

CARBON: 3,000 lbs. *
DIMENSIONS: 60" Ø x 93" H
SHIPPING WT: 4,000 lbs. Dry

* 2,000 lbs. option available



© Copyright 1991 Carbtrol Corporation - 7/7/04

AT-411/#1

CARBOTROL®
CORPORATION

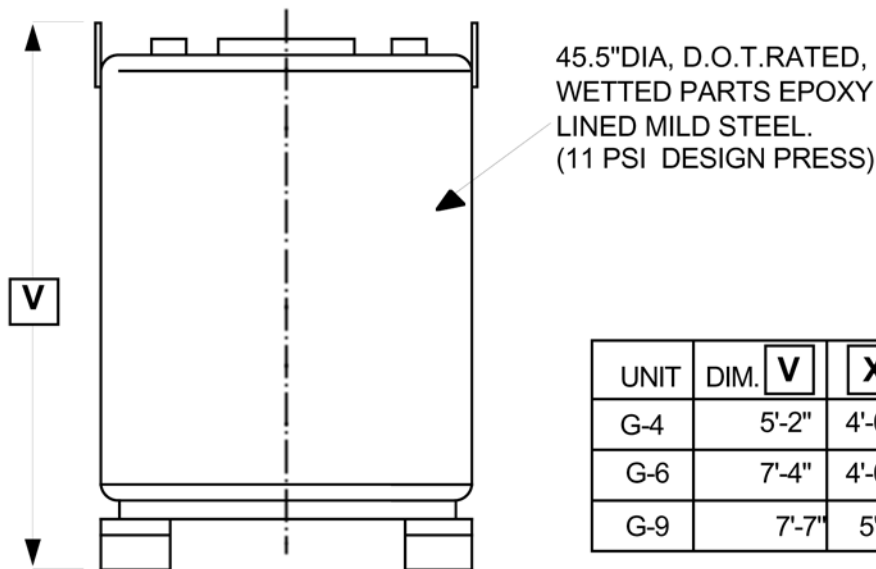
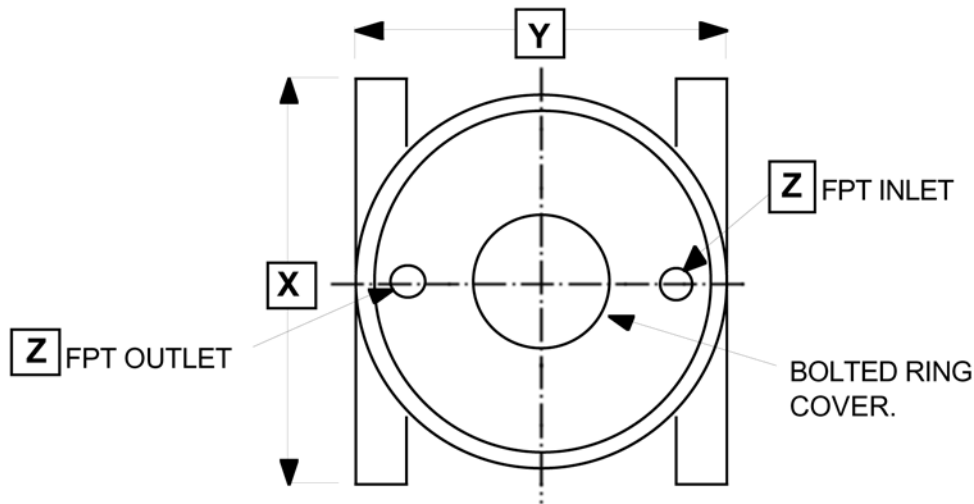
955 Connecticut Ave., Suite 5202
Bridgeport, CT 06607

800-242-1150 Fax: 203-337-4347
www.carbtrol.com info@carbtrol.com

CARBOTROL®

AIR PURIFICATION ADSORBERS

1,000 - 3,000 LB. ACTIVATED CARBON



UNIT	DIM.	V	X	Y	Z
G-4		5'-2"	4'-0"	3'-8"	4"
G-6		7'-4"	4'-0"	3'-8"	4"
G-9		7'-7"	5'-0"	5'-0"	10"

SAFETY

Certain chemical compounds in the presence of activated carbon may oxidize, decompose or polymerize. This could result in temperature increases sufficient to cause ignition of the activated carbon or adsorbed material. If a compounds reaction with activated carbon is unknown, appropriate tests should be considered.