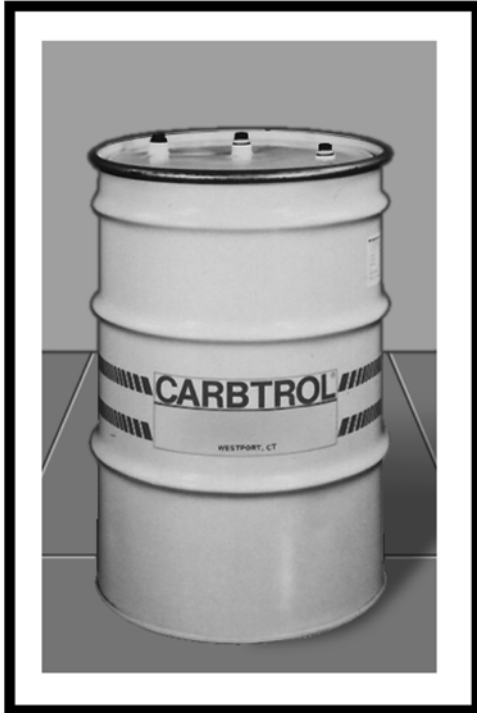


# CARBTRON<sup>®</sup>

## WATER PURIFICATION CANISTER 200 POUND ACTIVATED CARBON

### L-1



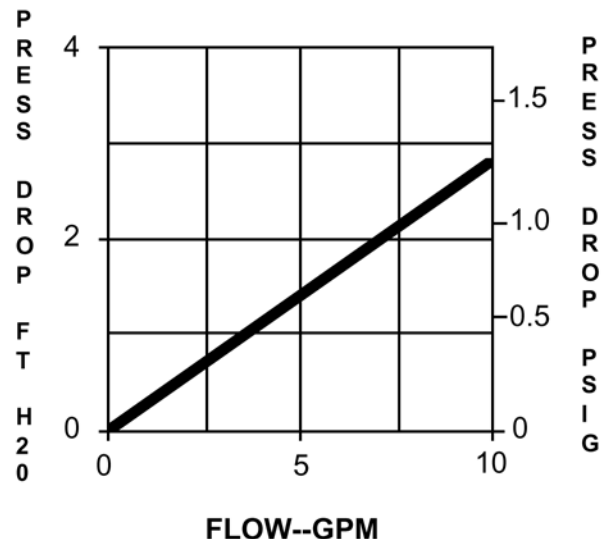
The CARBTRON L-1 (liquid) Canister handles up to 10 gpm.

### FEATURES

- 200 pounds of high activity carbon.
- Large 1 1/4" internal piping. Low pressure drop allows operation of three canisters in series.
- Standard FPT couplings for easy installation - saves time and money.
- Special "no leak" lid gasket.
- Heavy duty steel drums. Acceptable for transport of hazardous spent carbon.
- Piping design eliminates channeling.

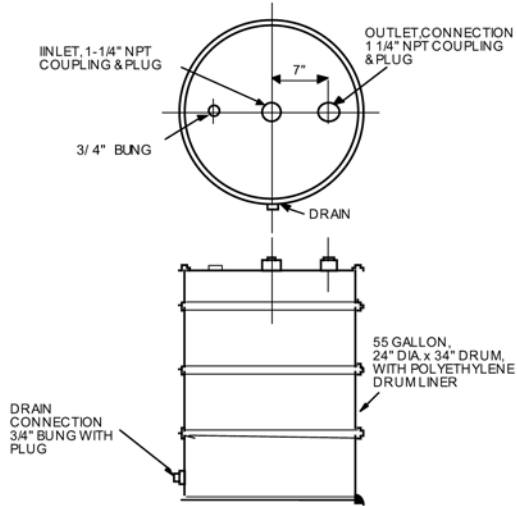
### SPECIFICATIONS

DRUM:	24" Ø x 34" high, mild steel, epoxy phenolic internal coating with polyethylene liner.
CARBON:	200 lbs.
SHIPPING WEIGHT:	250 lbs.
INLET:	1 1/4" FPT, steel
OUTLET:	1 1/4" FPT, steel
INTERNAL PIPING:	1 1/4" PVC
DRAIN:	3/4" bung
PRESSURE DROP:	1.25 psi @ 10 gpm
MAX. OPERATING PRESSURE:	10 psi



## WATER PURIFICATION CANISTER 200 POUND ACTIVATED CARBON

### L-1



### OPTIONS

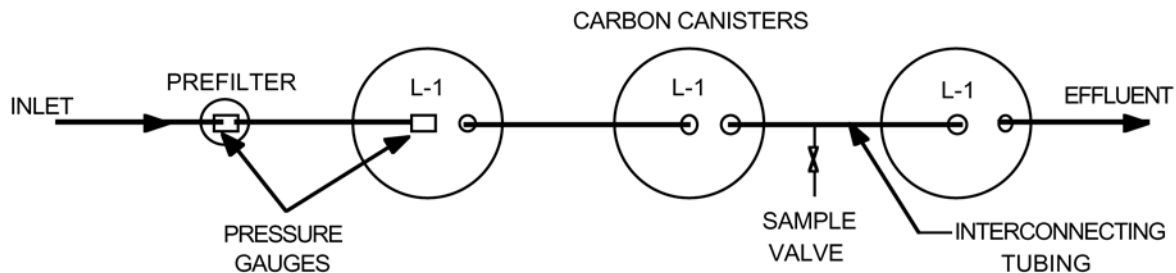
#### Interconnecting Piping Kit

Flexible 1 1/4" diameter PVC tubing with hose clamps. Includes inlet pressure gauge and intermediate sample valve.

#### Pre-filter for Suspended Solids Removal

Pre-filter consisting of a basket filter piped and mounted on support frame. Filter is of carbon steel construction.

**ARRANGEMENT** (3) L-1 Canisters in series for 10 gpm flow (Contact time @ 10 gpm - 15 minutes)



### TYPICAL INSTALLATION

